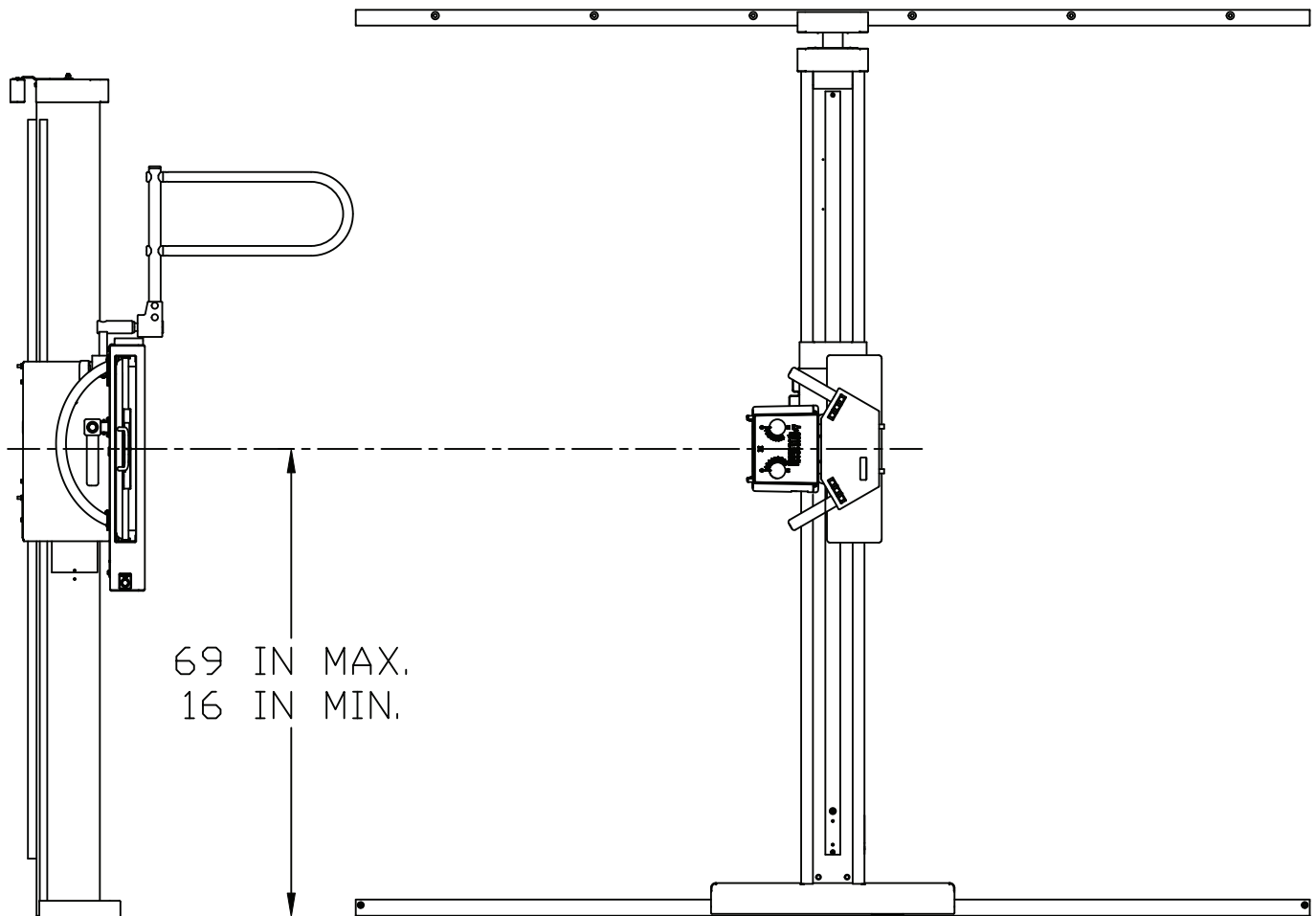


# CS ELITE

WALL MOUNTED CHEST STAND SYSTEM

The AMRAD Medical CS Elite system is designed for facilities that specialize in COVID-19 screening, Pulmonology and Occupational Medicine. Advanced features like ergonomically correct release handle and remote collimator light make positioning fast and efficient.

- 30-50kW generators
- Extensive vertical travel – 16”- 69”
- Accommodates a full range of upright exams
- Pair with optional mobile table to expand imaging capabilities



[www.amradmedical.com](http://www.amradmedical.com)

SUMMIT INDUSTRIES, LLC  
7555 N. Caldwell Avenue, Niles, Illinois 60714  
(p) 773-353-4000 | (p) 1-800-729-9729



LITR045-1120